

SPECIFICATIONS:

Analog I/Os: (See Note 1)

0 - 5 V DC output, 8 - 30 V DC input, 35 mA max.

0.5 - 4.5 V DC output, 8 - 30 V DC input, 35 mA max.

0 - 10 V DC output, 12 - 30 V DC input, 35 mA max.

4-20 mA DC, 3-wire sourcing, 18-30 V DC input, 60 mA max. (75 C max).

Do not connect to 2-wire loop powered system.

Measuring Ranges: See range table

Zero and Full Scale: SenSet Adjustable

Linearity Error: ±0.15% of FSO (Full Span Output) typical, ±0.25% max.

Resolution: 0.025% of FSO

Update Rate: 300 Hz nominal

Operating Temperature Range: -20° to 85° C (-40° to 105° C extended temp.)

Temperature coefficient: ≤±0.015% of FSO/K

Humidity: 95% RH non-condensing

Vibration: 5 - 20 Hz, 0.5 inch p-p; 20 - 2000 Hz, 4.2 g p-p

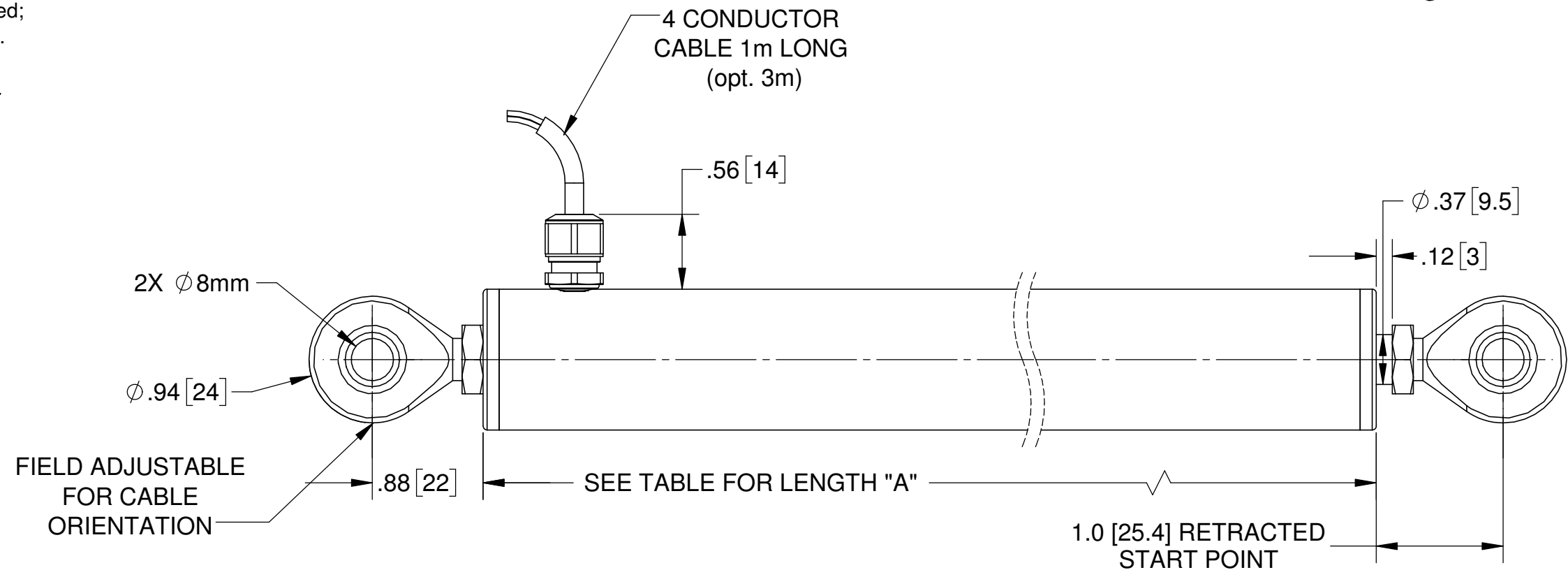
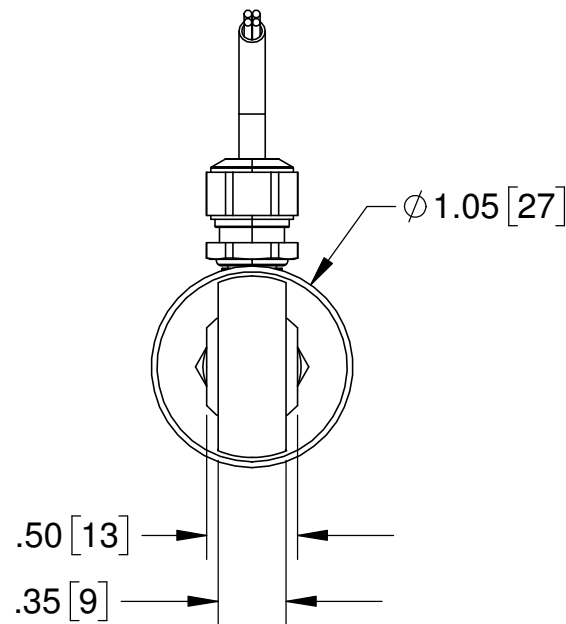
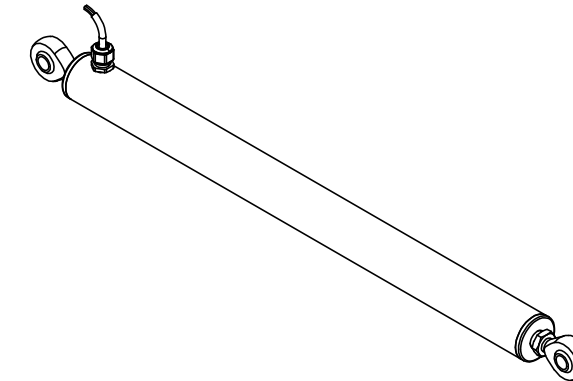
Shock: 1000 g, 11 msec.

Sealing: IEC IP-67

Note 1: Analog output is maximum with rod extended; see technical data sheet to specify reversed output.

Specifications are subject to change without notice.

REVISIONS			
REV.	DESCRIPTION	DATE	APPROVED
A	Edited Retracted Start Point	10-20-15	EH
B	Ref: ECN 17-193	06-08-17	EH



Nominal Range	"A" Body Length
8.0 inches [200 mm]	11.50 inches [292.1 mm]
10.0 inches [250 mm]	13.50 inches [342.9 mm]
12.0 inches [300 mm]	15.50 inches [393.7 mm]
14.0 inches [350 mm]	17.50 inches [444.5 mm]
16.0 inches [400 mm]	19.50 inches [495.3 mm]
18.0 inches [450 mm]	21.50 inches [546.1 mm]

I/O Function	Cable Color
+ Power input	Red
Ground	Black
Analog output	Green
SenSet™	White

UNLESS OTHERWISE SPECIFIED:		CONTRACT NO.	
1. DO NOT SCALE DRAWING		--	
2. DIMENSIONS ARE IN INCHES		--	
3. INTERPRET DIM/TOL PER ANSI Y14.5M-1994		--	
4. DEBURR/BREAK SHARP EDGES		--	
5. DIMS ARE BEFORE FINISH		--	
6. (DATA) FOR REFERENCE ONLY		--	
TOLERANCES		DRAWN BY:	DATE:
DECIMAL: .XX ±.010		G E Miller	06-08-17
ANGULAR: ±.5°		ENGINEER:	
THIRD ANGLE PROJECTION		Ed Herceg	06-08-17
--		CHECKED BY:	
--		Ed Herceg	06-08-17
--		QA:	
--		MFG:	
--		APPROVED BY:	
--		--	--

ALLIANCE SENSORS GROUP
 A DIVISION OF H.G. SCHAEVITZ LLC
 Moorestown, New Jersey USA alliancesensors.com

LRLX-27-R SERIES LVIT OUTLINE

SIZE: B	CAGE CODE: N/A	DWG. NO.: 3000-0016-XX	REV: B
FILENAME:		SCALE: N/A	RELEASE DATE: --

SHEET 1 OF 1

DWG. NO. 3000-0016-XX REV. B EDITION 06-08-17 BY: GEM