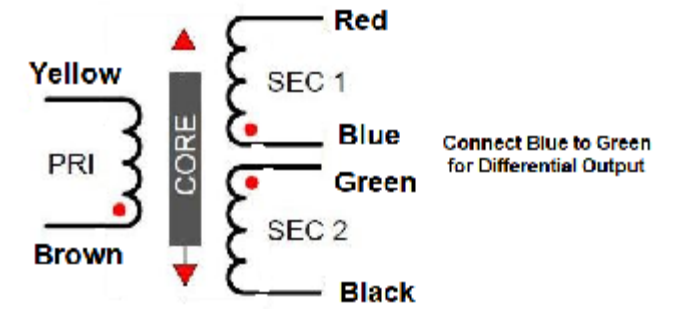
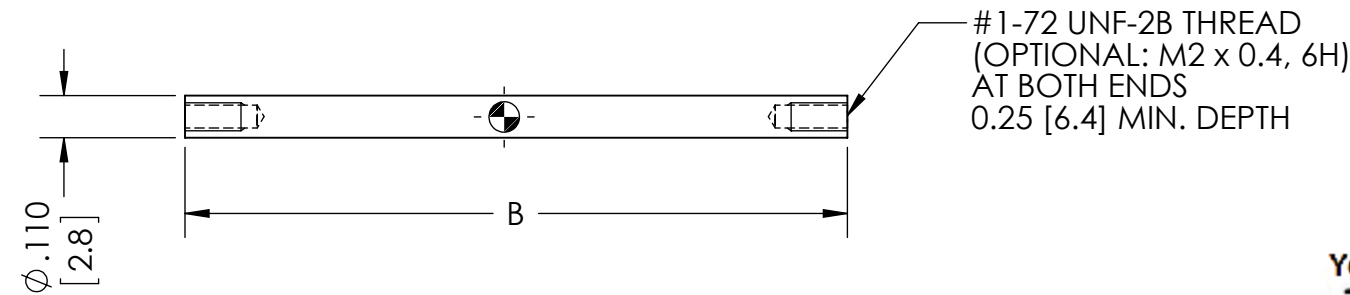
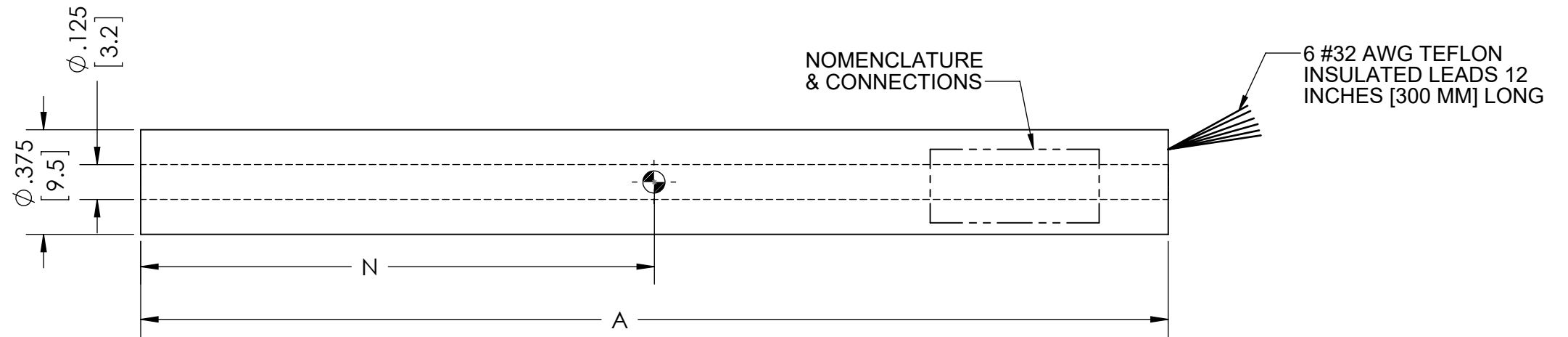


LVDT GENERAL SPECIFICATIONS:

Input Voltage: 3.0 Vrms (nominal)
 Input Frequency: 2.5 to 3.3 kHz
 Measuring Ranges: See table below
 Sensitivity: See table below
 Linearity Error: $\leq \pm 0.25\%$ of FRO (Full Range Output)
 Resolution: 0.001% of FSO (Full Scale Output)
 Repeatability Error: $< 0.01\%$ of FSO
 Hysteresis Error: $< 0.01\%$ of FSO
 Operating Temperature Range: -55 to 125 C
 Temperature Coefficient of Sensitivity: $< -0.02\%$ of FSO/ $^{\circ}$ C
 Humidity: 95% RH non-condensing
 Vibration: 5 - 20 Hz, 0.5 inch p-p; 20 - 2000 Hz, 10g p-p
 Shock: 1000 g, 11 msec.
 Sealing: IEC IP-69K

Specifications are subject to change without notice.

REVISIONS			
REV.	DESCRIPTION	DATE	APPROVED
--	INITIAL RELEASE	12-04-17	EH
A	TABLE UPDATED	04-16-18	EH



WIRING DIAGRAM

Nominal Range	Sensitivity	Primary Z	Body Length A	Core Length B	Null Point N	Body Weight	Core Weight
inches [mm]	mV/V/.001in [mm]	Ohms	inches [mm]	inches [mm]	inches [mm]	oz. [grams]	oz. [grams]
± 0.025 [0.63]	3.50 [138]	95	0.50 [12.7]	0.40 [10.2]	0.25 [6.3]	0.10 [2.8]	0.007 [0.23]
± 0.050 [1.3]	1.70 [67]	345	0.75 [19.1]	0.60 [15.2]	0.38 [9.6]	0.20 [5.7]	0.014 [0.40]
± 0.100 [2.5]	1.80 [71]	345	1.00 [25.4]	0.65 [16.5]	0.50 [12.7]	0.21 [6.0]	0.016 [0.50]
± 0.250 [6.3]	2.50 [98]	505	1.75 [44.5]	1.15 [29.3]	0.88 [22.1]	0.40 [11.3]	0.035 [1.00]
± 0.500 [12.7]	1.70 [67]	130	3.30 [83.8]	2.00 [50.8]	1.65 [41.9]	0.63 [18.0]	0.056 [1.60]
± 1.000 [25]	0.75 [30]	240	5.60 [142.2]	3.00 [76.2]	2.80 [71.1]	0.99 [28.0]	0.092 [2.60]
± 2.000 [50]	0.50 [20]	540	9.95 [252.7]	5.30 [134.6]	4.98 [126.2]	1.98 [56.0]	0.183 [5.20]

UNLESS OTHERWISE SPECIFIED:		CONTRACT NO.	
1. DO NOT SCALE DRAWING		--	
2. DIMENSIONS ARE IN INCHES		--	
3. INTERPRET DIM/TOL PER ANSI Y14.5M-1994		--	
4. DEBURR/BREAK SHARP EDGES		--	
5. DIMS ARE BEFORE FINISH		--	
6. (DATA) FOR REFERENCE ONLY		--	
TOLERANCES		DRAWN BY: S P	
DECIMAL: .XX ± 0.010		DATE: 12-04-17	
ANGULAR: $\pm 5^{\circ}$		ENGINEER: Ed Herceg	
THIRD ANGLE PROJECTION		CHECKED BY: Ed Herceg	
MFG: --		QA: --	
APPROVED BY: --		MFG: --	
--		APPROVED BY: --	

ALLIANCE SENSORS GROUP
 A DIVISION OF H.G. SCHAEVITZ LLC
 Moorestown, New Jersey USA alliancesensors.com

LA-9.5-A-XX-12 series LVDT Outline

SIZE: **B** CAGE CODE: N/A DWG. NO.: **2000-0024-XX** REV: **A**

FILENAME: 2000-0024-XX SCALE: 2:1 RELEASE DATE: -- SHEET 1 OF 1

DWG. NO. 2000-0024-XX REV. A EDITION 04-16-18 BY: S P