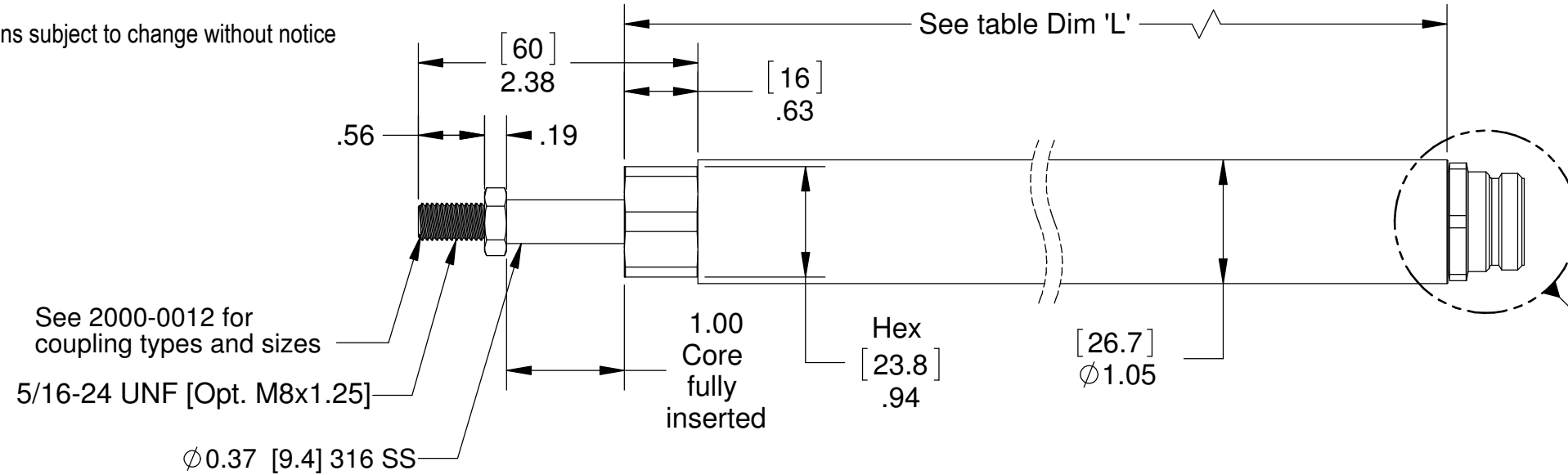


SPECIFICATIONS

Full Ranges: See Chart Below
 Excitation Voltage: 3 V ACrms nominal
 Excitation Frequency: 3 kHz nominal
 Full Scale Output: 0.83 V ACrms ±10%
 Linearity Error: ≤±0.5% of FRO (BFSL)
 Temperature Coefficient: ≤±0.025% of FRO/°C
 Operating Temperature: Cable termination: -40 to 175°C (-40 to 350°F)
 Connector termination: -40 to 125°C (-40 to 250°F)
 Relative Humidity: 95% non-condensing
 Vibration: 5-20 Hz, 0.5 inch p-p; 20-2000 Hz, 4.2 g p-p
 Shock: 1000 g, 11 msec.

Specifications subject to change without notice

REVISIONS			
REV.	DESCRIPTION	DATE	APPROVED
A	Ref: ECN 19-270, updated for clarity.	02-06-19	EH



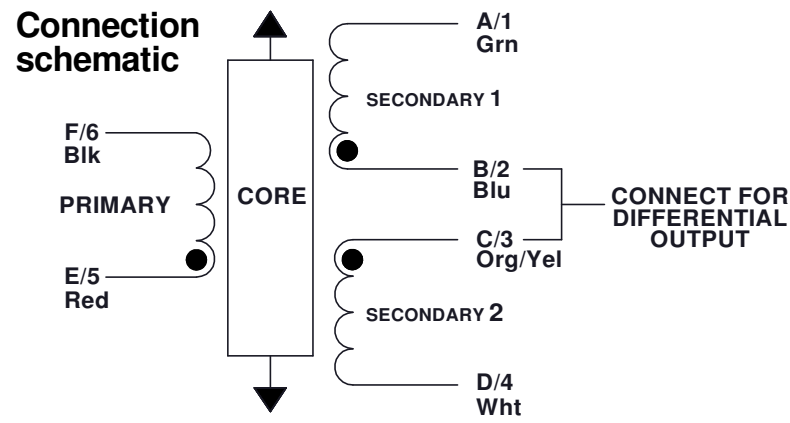
See 2000-0012 for coupling types and sizes
 5/16-24 UNF [Opt. M8x1.25]
 Ø0.37 [9.4] 316 SS

ELECTRICAL TERMINATIONS:
 See connection schematic

Cord Grip with cable
 Length: 3 m (standard)
 1 m optional

6-Pin Connector,
 7/8-16 UN Thd.

Other terminations available upon request



Note: Cable shield not connected to case.

LA-27-A-XX Configurations

LA-27-A-XX	-03	-06	-09	-12	-15, -16
Dim 'L'	8.12" L	11.87" L	14.87" L	18.87" L	22.87" L
[mm]	206.2	301.5	377.7	479.3	580.9

UNLESS OTHERWISE SPECIFIED:		CONTRACT NO.	
1. DO NOT SCALE DRAWING		--	
2. DIMENSIONS ARE IN INCHES		DRAWN BY: G E Miller	
3. INTERPRET DIM/TOL PER ANSI Y14.5M-1994		DATE: 02-25-14	
4. DEBURR/BREAK SHARP EDGES		ENGINEER: Ed Herceg	
5. DIMS ARE BEFORE FINISH		CHECKED BY: Ed Herceg	
6. (DATA) FOR REFERENCE ONLY		DATE: 02-25-14	
TOLERANCES		MFG: --	
DECIMAL: .XX ±.010	ANGULAR: ±.5°	APPROVED BY: --	
.XXX ±.005		DATE: --	
THIRD ANGLE PROJECTION		FILENAME: 2000-0006_LA-27 Axial LVDT Outline	
		SCALE: 3:4	

ALLIANCE SENSORS GROUP
 A DIVISION OF H.G. SCHAEVITZ LLC
 Moorestown, New Jersey USA alliancesensors.com

LA-27-A LVDT
 Outline

SIZE: **B** CAGE CODE: N/A DWG. NO.: **2000-0006** REV: **A**

RELEASE DATE: -- SHEET 1 OF 1

DWG. NO. 2000-2006 REV. A LAST EDIT: 02-06-19 BY: GEM